


# Data Sheet (EN)

Translation of the german original



Designation, Model:	Order number:
Multi-range vacuum gauge, VMpro 1	600092

Figure:	Description:
	<p>VMpro 1 multi-range vacuum gauge combines Pirani technology with the advantages of a ceramic capacitance diaphragm sensor in a single gauge.</p> <p>In the measurement range between 10 mbar and atmospheric pressure the capacitance diaphragm technology provides gas-type independent, highly accurate values for reliable pressure measurement.</p> <p>The built-in digital display gives clear readability for easy vacuum level monitoring and also shows the current measuring principle. There is a status indication light on top of the sensor.</p>

Technical data:		
Parameter	Data	Unit
Measuring range	1500 – 5x10 <sup>-5</sup>	mbar
	1125 – 3.8x10 <sup>-5</sup>	Torr
Accuracy		
5x10 <sup>-4</sup> – 1x10 <sup>-3</sup> mbar	±50	% of reading
1x10 <sup>-3</sup> – 100 mbar	±15	
100 – 950 mbar	±5	
950 – 1050 mbar	±2.5	
Repeatability		
1x10 <sup>-3</sup> – 1100 mbar	±2	% of reading
Max Pressure	10	bar
Admissible temperature		
Operation	+10 – +50	°C
Storage	-20 – +65	
Bakeout at flange	≤ +80	
Vacuum connection	16 KF	DN
Maximum altitude	2000	m
Relative humidity, annual mean	≤ 65	% (non-condensing)
Voltage	100 - 240	V
Frequency	50 / 60	Hz
Plug adapters	EU (Schuko) & UK	-
Mounting orientation	Any	-
Internal volume	4.7	cm <sup>3</sup>
Sensor weight	< 120	g
Sensor dimensions W/D/H	159 / 45 / 28	mm (including cable bend)

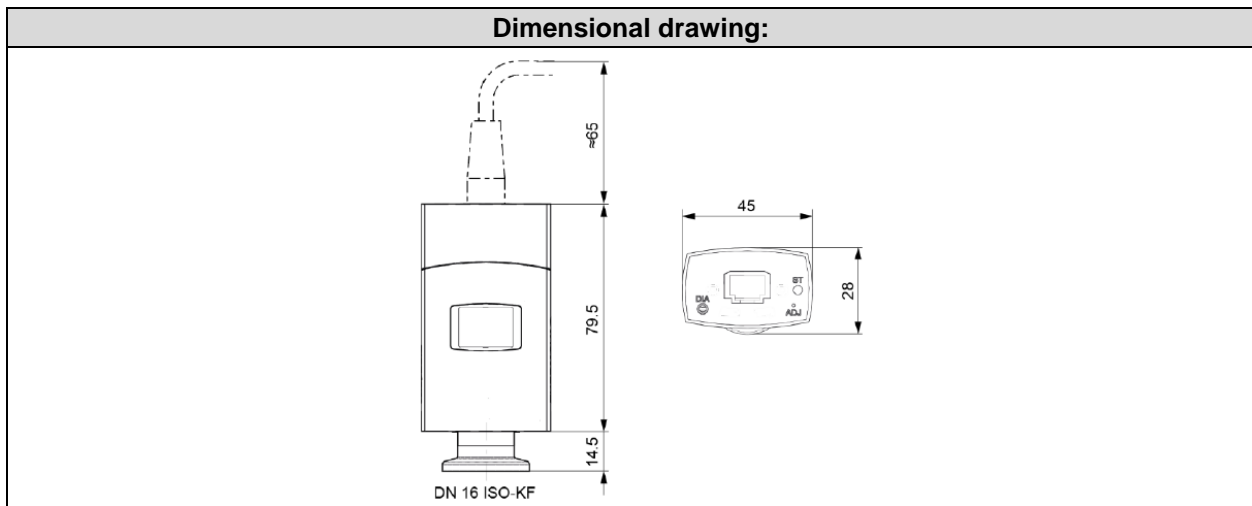
Scope of delivery: VMpro 1 vacuum gauge, AC/DC power adapter with EU and UK plug adapters, connection cable.

# Data Sheet (EN)

Translation of the german original



Application:	Materials of the medium-affecting parts:	
<b>The vacuum gauge VMpro 1 is intended for:</b> <ul style="list-style-type: none"> <li>Measuring absolute pressures in the rough and fine vacuum range which is created by, for example, diaphragm pumps, piston pumps, rotary vane pumps and similar devices</li> <li>Use in physical laboratories in education, R&amp;D and industry</li> <li>Use for vacuum monitoring in general vacuum technology applications and fore vacuum measurement in UHV systems.</li> </ul>	<b>Diaphragm sensor</b>	Al <sub>2</sub> O <sub>3</sub> ceramic
	<b>Pirani filament</b>	Tungsten
	<b>Feedthrough</b>	Glass
	<b>Flange</b>	Stainless Steel
	<b>Orifice</b>	Stainless Steel
	<b>Other parts</b>	Ni, NiFe, Stainless Steel, SnAg



Accessories:	
Description	Order number
DN16KF clamping ring, Aluminium	701011
DN16KF external centring ring, Aluminium with FKM O-ring	701151
DN16KF internal centring ring with screen, Stainless Steel with FKM O-ring	701191
Hose nozzle adapter DN16KF flange - DN8-10 nozzle, Stainless Steel	710743
Hose nozzle adapter DN16KF flange - DN12 nozzle, Stainless Steel	701702
Schlenkline adapter DN16KF flange - NS14/23 cone, Stainless Steel	710213
Red rubber vacuum hose, 8mm ID, 5mm wall thickness	828310-4
Red rubber vacuum hose, 10mm ID, 5mm wall thickness	828310-3
Reducer flange, DN25/16KF, Stainless Steel	701401
Factory Calibration certificate for WELCH Vacuum gauges	L955112

Alternative items:	
Description	Order number
VMpro 2 chemical resistant multi-range vacuum gauge, 100-240 V, 50/60 Hz	600094
Vacuum measurement kit, DN16KF - includes VMpro 2 gauge, T-piece and connecting pieces	330050

We are constantly working on the further development of all our product types. Reprinting or reproduction of this manual, including extracts, is not allowed without prior written permission of Gardner Denver Thomas GmbH. All rights under the copyright laws are expressly reserved by Gardner Denver Thomas GmbH. We reserve the right to make changes and amendments.

The information presented in this material is based on technical data and test results of nominal units. It is believed to be accurate and reliable and is offered as an aid to help in the selection of products. It is the responsibility of the user to determine the suitability of the product for the intended use and the user assumes all risk and liability whatsoever in connection therewith. Gardner Denver Thomas GmbH does not warrant, guarantee or assume any obligation or liability in connection with this information.



# WolfLabs

**Pricing on any accessories shown can be found by keying the part number into the search box on our website.**

The specifications listed in this brochure are subject to change by the manufacturer and therefore cannot be guaranteed to be correct. If there are aspects of the specification that must be guaranteed, please provide these to our sales team so that details can be confirmed.

**[www.wolflabs.co.uk](http://www.wolflabs.co.uk)**

**Tel : 01759 301142**

**Fax : 01759 301143**

**[sales@wolflabs.co.uk](mailto:sales@wolflabs.co.uk)**

Please contact us if this literature doesn't answer all your questions.